

ReelRunner™; 520mm; 150m/min (500ft/min)





This new generation of Unwinders and Rewinders can be connected online to any host digital printer or other continuous device, winding all types of high volume and high speed documents. Reels up to 52" (1320mm) in diameter and 20.5" (520mm) wide allow long time continuous operation.

Mounted on wheels for ease of use, mobility and user friendly Operation. Reversible direction winding with tensionless input/output allow the units to respond to web demand at any speed up to 325ftm (100m/min); optionally up to 500ftm (150m/min). Only low power supply from the plug is needed to run the units. The control system features adjustable taper tension and variable tension settings which allow even very difficult stocks to be handled. The units are available as left handed or right handed versions tailor made to your host system.

Specification

Maximum Roll diameter	1'320 mm (52")
Web width	200 mm (8") - 520 mm (20.5")
Maximum Roll weight	580 Kg (1280 lbs)
Weight of material	coated or uncoated 55–120 gr/m ²
Operating speed	8 - 150 m/min (25 - 500 ft/m)
Running direction	Automatic direction recognition
Input	Tension less with sack web
Output	Loop Box tension less
Sensors	end of roll; web break: loop recognition
Electrical specifications	1 x 208/240VAC, LNPE; 50/60Hz, 10A, +/- 5%
Power control cabinet	integrated
Air supply	Integrated Compressor
Dimension Unwinder	1610 x 1060 x 1350 mm (63.5" x 42" x 53")
Dimension Rewinder	1370 x 1060 x 1350 mm (54" x 42" x 53")
Crate size	1660 x 1250 x 1580 mm (65.5" x 49.5" x 63")
Weight	470 kg (1'036.1 lbs); not including paper roll
Noise level	68 dB (A)
Ambient temperature	15 – 29° C (80 – 85 deg F)
Relative Humidity, operating	15 – 29° C (80 – 85 deg F) @ 30-60% RH
Agency compliance	CE; UL; CSA
Interface	Type 1 compatible

Options

 <p>Airshaft</p>	<p>Other diameters are available such as:</p> <ul style="list-style-type: none">Airshaft 70mm (2 3/4")Airshaft 76mm (3")Airshaft 127mm (5")Airshaft 150mm (6")Airshaft 200mm (8")
 <p>Reel trolley</p>	<p>The trolley comes complete with a hinged front plate which facilitates the loading of the reel directly from the floor or pallet. It is suitable for 52" (1320mm) x 20.5" (520mm) diameter wide reels weighing up to 600kgs (1323 lbs)</p>

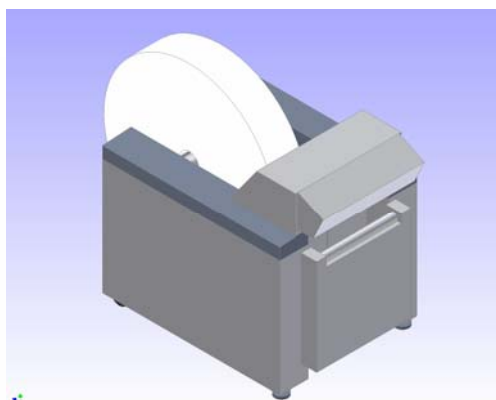
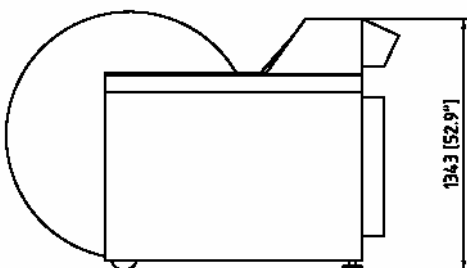
Pad weight and positions of Unwind module

Unwind module 150m/min (500ft/min)

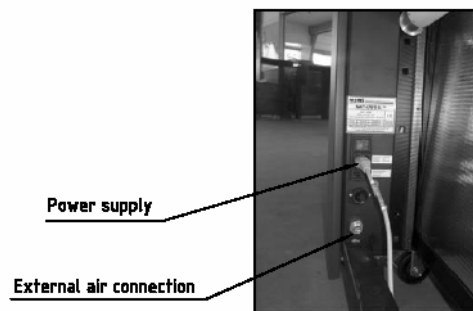
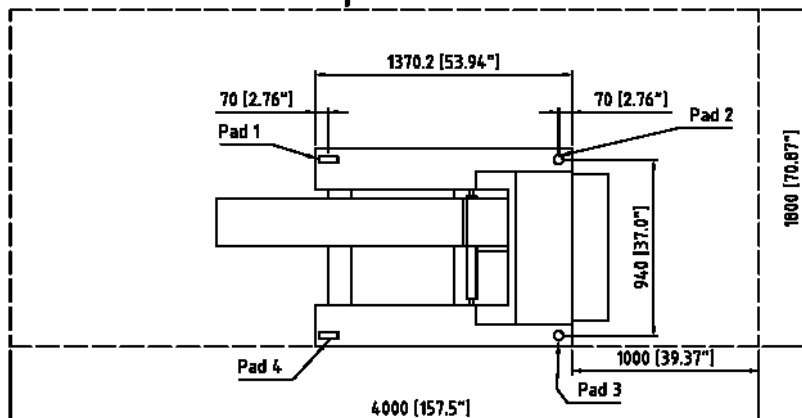
Tot. Net Weight: 470kg/1'036.1 lbs (Not including paper roll)

Pad 1:	80kg	176.4 lbs
Pad 2:	150kg	330.7 lbs
Pad 3:	145kg	319.7 lbs
Pad 4:	95kg	209.4 lbs

Front view



Top view



Pad weight and positions of Rewind module

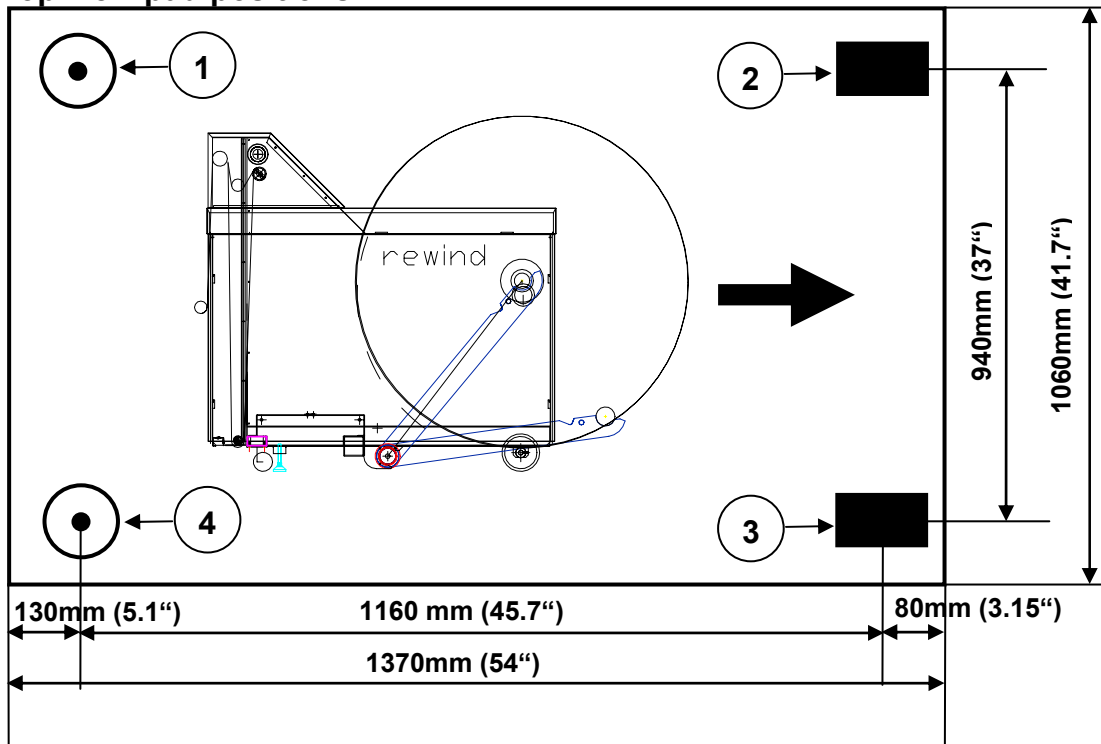
Rewind module 100m/min (325 ft/min)

Rewind module 150m/min (500 ft/min)

Tot. Net Weight: 490kg/1080.3 lbs (Not including paper roll)

Pad 1:	150kg	330.7 lbs
Pad 2:	80kg	176.4 lbs
Pad 3:	100kg	220.5 lbs
Pad 4:	160kg	352.7 lbs

Top view pad positions



Service area and power supply



Power supply; IEC 320

