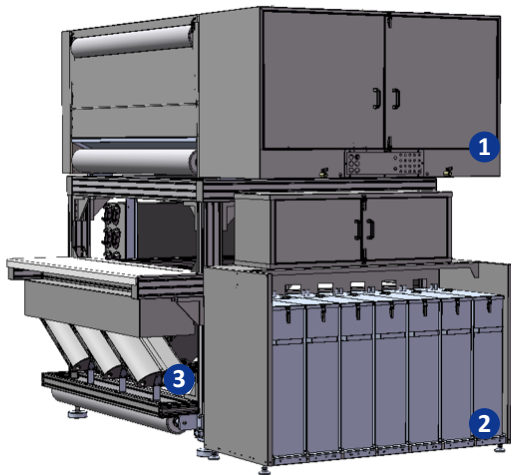


## GP Tinter - 2SG

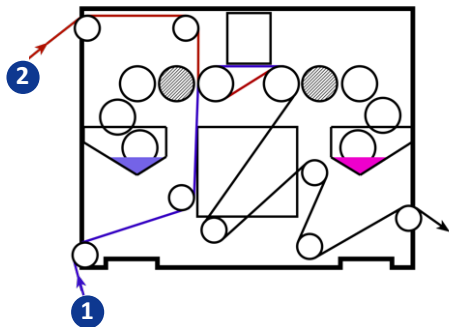


The **GP Tinter** is a versatile and proven tinting and coating solution. The original design of GP Stratum has been acquired by the Matti Group and has since then been further developed to meet today's requirements. The solution is available with different roller configurations to tint pastel or strong colors and can have options such as the automatic color changer ACC-2 or IR drying. The solution is available in different widths.

- 1** GP Tinter 2SG: Tints paper on either side
- 2** ACC-2: Automatically change 5 colors, separate cleaning fluid and waste
- 3** IR drying: Up to 32kW of power per side, depending on web width and speed



## GP Tinter - 2SG



### Technical Specifications

- Tinting width from 395mm to 1520mm
- Maximum web speed 450m/min
- Air Supply 6 Bar (85 psi)
- Can be webbed to print one side **1** double for strong colors or both sides **2** with individual colors, see webpath on the left
- Different Roller configurations for pastel or strong colors, see below

#### Low Viscosity



4 Rollers with  
intermediate Chrome  
Roller

#### Medium Viscosity



4 Rollers with  
intermediate Rubber  
Roller

#### High Viscosity



4 Roller  
configuration